

## Base Brackets:

- 2" conduit hole for greater electrical access
- Include Leveling Legs for uneven flooring
- Install straight in using integral spring latch
- **For pricing see section 100, pg 68**

### EXAMPLE PART NO.

BB	13	06	S
----	----	----	---

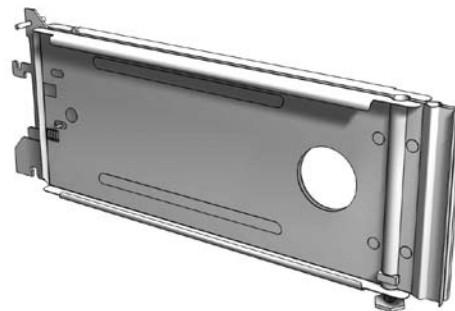
- BB = Base Bracket  
 13 = Base Deck Depth:  
 13", 16", 19", 22",  
 25", 28", 31"  
 06 = Base height:  
 "06" or "LB" Low Base  
 S = Spring Locking

### STANDARD FINISH:

PTD
-----

- Optional CHR

## Spring Locking Base Brackets



### NOTE:

Actual Bracket length is 3" less than nominal Deck depth. When using Open Base Fronts, order CHR Base Brackets. (When complete Section/End part numbers are ordered with OBF's this is done automatically.)

## Base End Trim:

- Attaches to the first & last Base Bracket
- One pair is required to finish a Wall run
- Two pair are required to finish an Island run
- Specify 06 Base or Low Base
- **For pricing see section 100, pg 69**

### EXAMPLE PART NO.

BET	13	06
-----	----	----

- BET = Base End Trim  
 13 = Base Deck Depth: 13", 16",  
 19", 22", 25", 28", 31"  
 06 = Base Height:  
 "06" or "LB" Low Base

### STANDARD FINISH:

CHR
-----

## Base End Trim



## Extended Base End Trim

### Extended Base End Trim:

- Required with M55 molding
- One pair required to finish Wall run
- Two pair required to finish Island run
- Delete standard BET from order & add extended version
- Order for either 06 or Low Base
- **For pricing see section 100, pg 69**

BASE DECK DEPTH	06 BASE PART NO.	LOW BASE PART NO.
13"	DC2971	DC2981
16"	DC2972	DC2982
19"	DC2973	DC2983
22"	DC2974	DC2984
25"	DC2975	DC2985
28"	DC2976	DC2986
31"	DC2977	DC2987



### STANDARD FINISH:

CHR
-----