

## Top Caps

### Top Caps:

- Standard Top Caps included with Uprights 36" - 66"
- Threaded Top Caps accept 3/8" - 24 threaded stems
- **For pricing see section 100, pg 88**

### Standard

PART NO.
DC1561

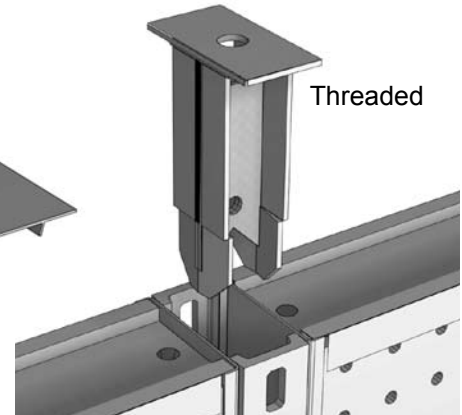
#### STANDARD FINISH:

PLT

- Optional Tier I & II colors



Standard



Threaded

### Threaded

PART NO.
HM1911

#### STANDARD FINISH:

ZNC

- Zinc

### Back Adapter:

- Allows BE Backs to be installed in old style 06 Base Uprights
- Adapter attaches to existing Upright SAP Pin hole
- **For pricing see section 100, pg 88**

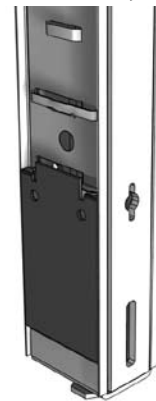
PART NO.
BKA

#### STANDARD FINISH:

GLV

- Galvanized

## Back Adapter



### Sign Channel:

- Steel channel fits standard Uprights & retains 1/4" thick material
- Two channels required per section
- **For pricing see section 100, pg 88**

HEIGHT	PART NO.
18"	HM1113
24"	HM1114

#### STANDARD FINISH:

PLT

- Optional Tier I & II colors

## Sign Channels

