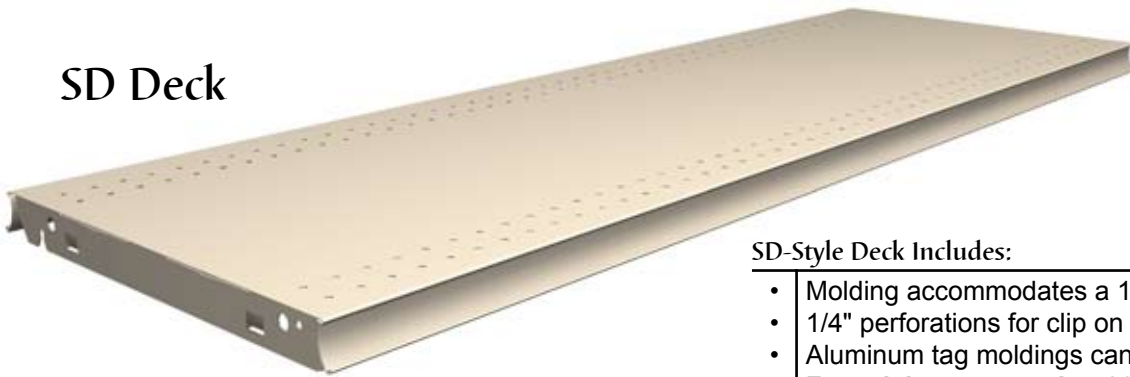


Decks & Accessories

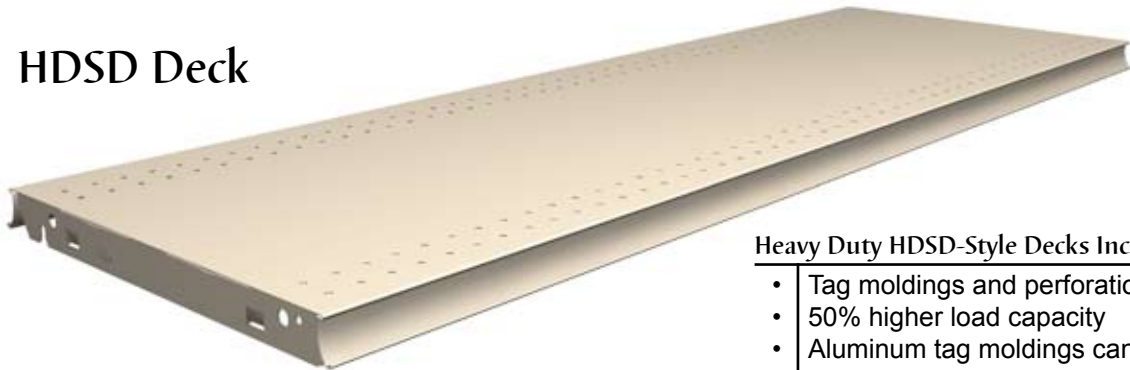
SD Deck



SD-Style Deck Includes:

- Molding accommodates a 1.235" tag
- 1/4" perforations for clip on accessories
- Aluminum tag moldings can be ordered installed
- **For pricing see section 200, pg 6**

HDSO Deck



Heavy Duty HDSO-Style Decks Includes:

- Tag moldings and perforations similar to SD Style
- 50% higher load capacity
- Aluminum tag moldings can be ordered installed
- **For pricing see section 200, pg 5**

EXAMPLE CATALOG NO.

SD	4	16	N
----	---	----	---

- SD = Deck Style (SD or HDSO)
 4 = Width: (see Deck size chart)
 16 = Depth: (see Deck size chart)
 N = No Aluminum Molding
 • Molding M13_, M35_, or M55_
 Specify: "S" Satin or "G" Gold

STANDARD FINISH:

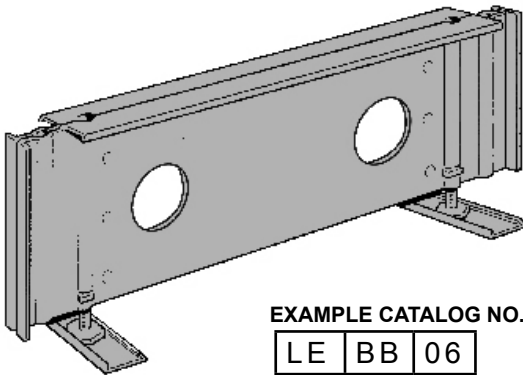
PLT

- Optional Tier I & II colors

Deck Sizes

		DEPTH						
		13"	16"	19"	22"	25"	28"	31"
WIDTH	SD	2'						
		30'						
		3'						
		4'						
HDSO		4'	N/A	N/A				

Load Easer Base Bracket



EXAMPLE CATALOG NO.

LE	BB	06
----	----	----

- LE = Load Easer
 BB = Base Bracket
 06 = Base Style:
 "06" Base
 "LB" Low Base

STANDARD FINISH:

PTD

- Optional CHR

Load Capacity

SD	13" - 19" = 600 lb.
	22" - 31" = 800 lb.
HDSO	19" = 900 lb.
	22" - 31" = 1200 lb.

Uniformly distributed load pounds (lb.)

Load Easer Bracket:

- Place halfway between the Brackets for additional Deck load capacity
- Place Bracket either straight or angled depending on Base Deck depth
- Comes with attached Stabilizers
- Supports: 1,100 lbs./deck (13"D through 19"D)
1,300 lbs./deck (22"D through 31"D)
Specify 06 Base or Low Base
- **For pricing see section 200, pg 6**