

Glass Shelves & Components

Glass Shelf Assemblies



Assemblies include:

- Two Brackets
- One Support Channel
- Four Clear Clips
- One 1/4" thick tempered clear glass Shelf Top, polished edges
- Installs in flat position only
- Uniformly distributed load of 125 lb.
- **For pricing see section 200, pg 21-22**

Assemblies with Glass

EXAMPLE PART NO.

| | | | |
|-----|---|----|---|
| GSA | 4 | 08 | T |
|-----|---|----|---|

GSA = Glass Shelf Assembly
4 = Width: 3' or 4'
08 = Depth: 8", 10", 12", 14", 16", 18"
T = Tempered Glass

STANDARD FINISH:

| |
|-----|
| PLT |
|-----|

PLT • Shelf Assembly & Frame
 • Optional Tier I & II colors

Frame Only

EXAMPLE PART NO.

| | | |
|-----|---|----|
| GSF | 4 | 08 |
|-----|---|----|

GSF = Glass Shelf Frame
4 = Width: 3' or 4'
08 = Depth: 8", 10", 12", 14", 16", 18"

STANDARD FINISH:

| |
|-----|
| PLT |
|-----|

• Optional Tier I & II colors

Glass Shelf Tops

EXAMPLE PART NO.

| | | | |
|----|---|----|---|
| SG | 4 | 08 | T |
|----|---|----|---|

SG = Shelf Glass
4 = Width: 3' or 4'
08 = Depth: 8", 10", 12", 14", 16", 18"
T = Tempered Glass

STANDARD FINISH:

| |
|-----|
| CLR |
|-----|

• Clear glass

* Actual dimensions: Subtract 1/8" from nominal width & 1/16" from nominal depth.

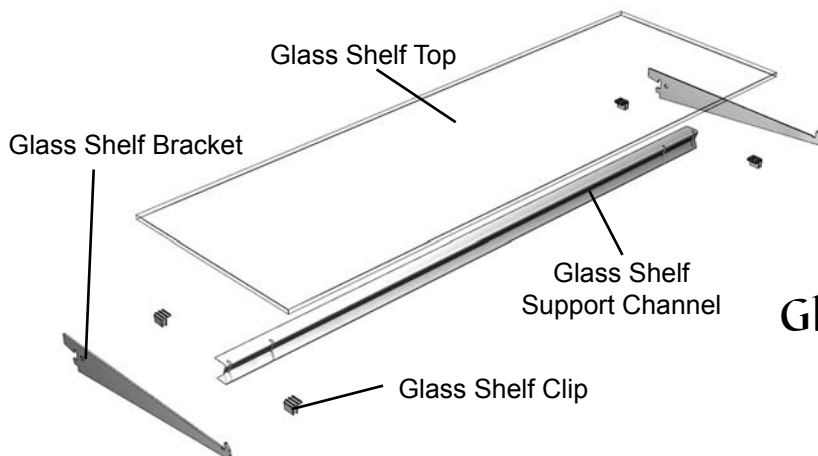
Glass Shelf Brackets

| DEPTH | PART NO. |
|-------|----------|
| 8" | SG1111 |
| 10" | SG1112 |
| 12" | SG1113 |
| 14" | SG1114 |
| 16" | SG1115 |
| 18" | SG1116 |

STANDARD FINISH:

| |
|-----|
| PLT |
|-----|

• Optional Tier I & II colors



Glass Shelf Clips

| |
|----------|
| PART NO. |
| SG1591 |

STANDARD FINISH:

| |
|-----|
| VG4 |
|-----|

• Clear PVC

Glass Shelf Support Channel

| SHELF WIDTH | PART NO. |
|-------------|----------|
| 3' | SG1251 |
| 4' | SG1252 |

STANDARD FINISH:

| |
|-----|
| PLT |
|-----|

• Optional Tier I & II colors