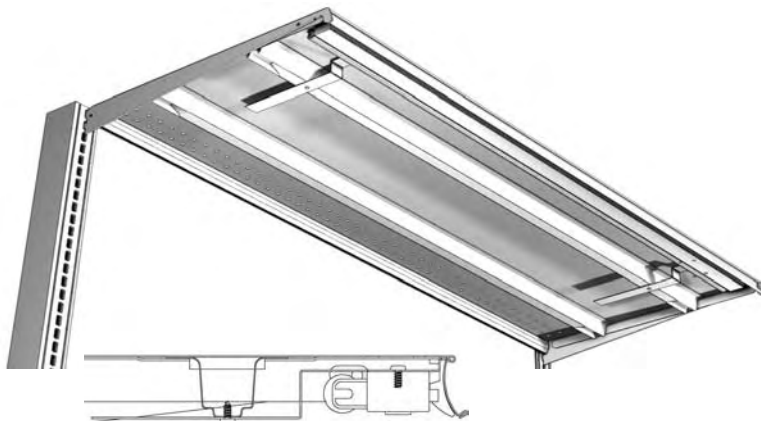


Under Shelf Light Kits:

- Installs behind front Shelf Tag
- Includes:
 - 1 fixture w/2-6" pigtail connectors
 - 1 light tube & protector
 - 2 Mounting Brackets
- Up to 14 light fixtures can be connected together on one 15 amp circuit
- 6' power supply cord required per run (ordered separately)
- 3-prong power cord connects to last fixture in run & plugs into a standard 110 outlet
- No hard wiring is required
- UL approved
- **For pricing see section 200, pg 35**

Under Shelf Light Kits



Under mount shelf light

COMPONENT	INPUT WATTS	LINE CURRENT	ACTUAL LENGTH	PART NO.
3' Light Fixture	21W	.36A	34"	T5SHLFLITE3
4' Light Fixture	28W	.36A	46"	T5SHLFLITE4
6' Power Supply Cord			72"	ELCORDT572
3' Replacement Bulb			33"	T5WW33TUBE
4' Replacement Bulb			45"	T5WW45TUBE

STANDARD FINISH:

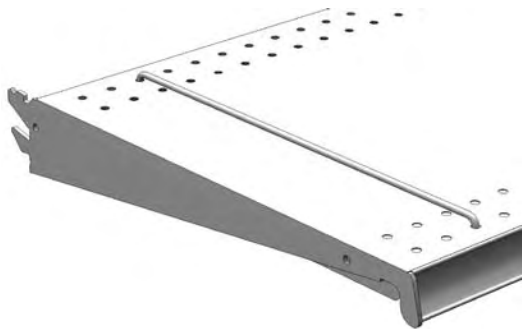
N/A

- Cord
- Bulbs
- Fixtures

Can Dividers:

- Fits all standard Lozier Shelves & Decks
- **For pricing see section 200, pg 35**

Can Dividers



EXAMPLE PART NO.

WCD 13

WCD = Wire Can Divider
 13 = Shelf size: 13", 15", 16", 17", 19", 22"

STANDARD FINISH:

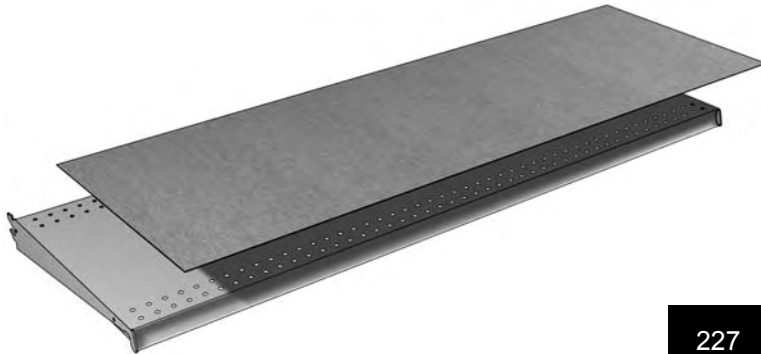
ZNC

- Zinc plated

Stainless Steel Shelf/Deck Covers:

- Protects shelf/deck tops from abrasive or corrosive products
- Hooks into tag molding - secures at rear with double sided tape
- **For pricing see section 200, pg 35**

Stainless Steel Shelf/Deck Covers



EXAMPLE PART NO.

C 4 19

C = Stainless Steel Cover
 4 = Shelf width: 3', 4'
 19 = Shelf depth: 19", 22", 25"

STANDARD FINISH:

STS

- Stainless Steel