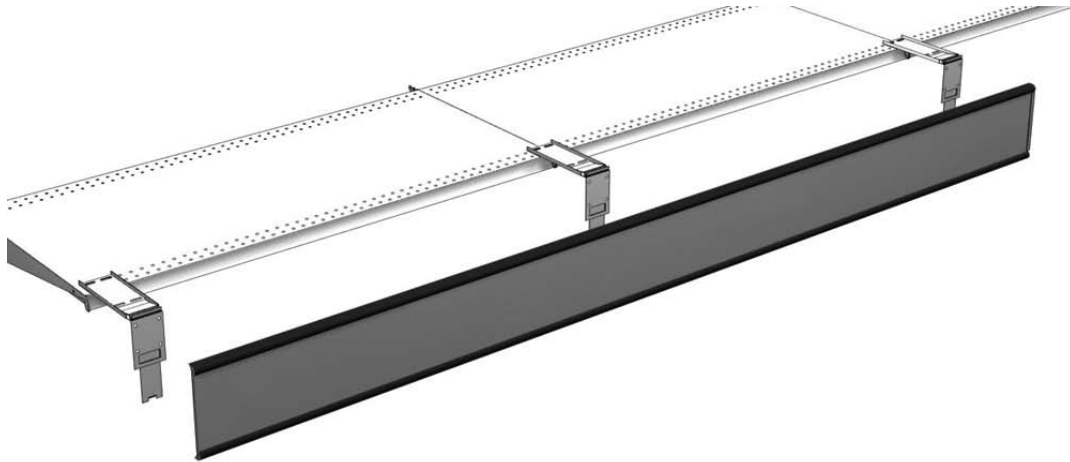


# Contoured Frame Canopy

## Contoured Frame Canopy System



### Contoured Frame Canopy System:

- 8"H
- Rounded profile frame extrusions
- 8' painted hardboard or 2 - 4' Woodgrain fascia inserts
- Starter Unit includes:
  - 8' Fascia Assembly (Extrusions & Inserts)
  - 3 Shelf-Mount Brackets
- Add-On Unit includes:
  - 8' Fascia Assembly (Extrusions & Inserts)
  - 2 Shelf-Mount Brackets
  - 1 Splicer
- Woodgrain Fascia Starters & Add-Ons include one extra Splicer (Insert is in two 4' pieces)
- Top Shelf ordered separately
- Overall projection see pg 502
- Compatible with Canopy End Panels (pg 509), NOT compatible with other Canopy Systems
- Fascia assemblies can be field cut for various lengths & corner arrangements
- **For pricing see section 500, pg 1**

### EXAMPLE PART NO.

CFC	8	P	SU
-----	---	---	----

- CFC = Contoured Frame Canopy  
8 = Width: 8'  
P = Insert Style: "P" Painted or "W" Woodgrain  
SU = Unit Type: "SU" Starter or "AU" Add-On

### STANDARD FINISH:

PLT	CHR	PLT
-----	-----	-----

- PLT • Insert:
  - Optional IA1 or Tier I & II colorsCHR • Frame:
  - Optional Tier I & II colorsPLT • Splicer: (Add-On Unit Type Only)
  - Optional IA1 or Tier I & II colors