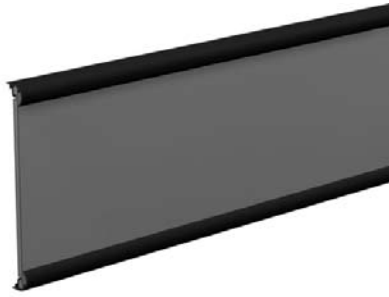


Contoured Frame Canopy Components

Contoured Frame Fascia Assembly



Contoured Frame Fascia Assembly:

- 8' Hardboard Fascia
- Factory installed Extrusions
- Can be field cut
- **For pricing see section 500, pg 1**

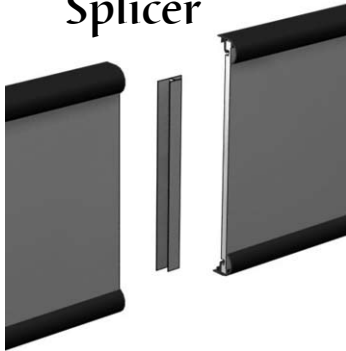
PART NO.
CH896

STANDARD FINISH:

PLT	CHR
-----	-----

- PLT
- Insert:
 - Optional IA1
 - Optional Tier I & II colors
- CHR
- Frame:
 - Optional Tier I & II colors

Splicer



PART NO.
CS7

STANDARD FINISH:

PLT

- Optional IA1
- Optional Tier I & II colors

NOTE: 8' Woodgrain Fascia Insert is actually (2) 4' pieces, so 2 Splicers must be ordered for an Add-On unit.

Shelf-Mount Contoured Frame Canopy Bracket

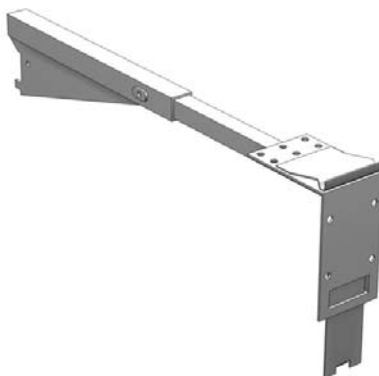


PART NO.
CA1121

STANDARD FINISH:

GLV

Adjustable Contoured Frame Canopy Brackets



Adjustable Contoured Frame Canopy Brackets:

- Creates Open-top Canopy
- Order one pair of "End" Brackets for each run of Canopy
- Order one "Center" Bracket for each Center Uprite
- Brackets available for projections from 17" - 26" or 26" - 36"
- Front component is Galvanized
- **For pricing see section 500, pg 1**

TYPE	STYLE	PART NO.
End	17" - 26"	CA1371
	26" - 36"	CA1372
Center	17" - 26"	CA1361
	26" - 36"	CA1362

STANDARD FINISH:

PLT

- Optional Tier I & II colors