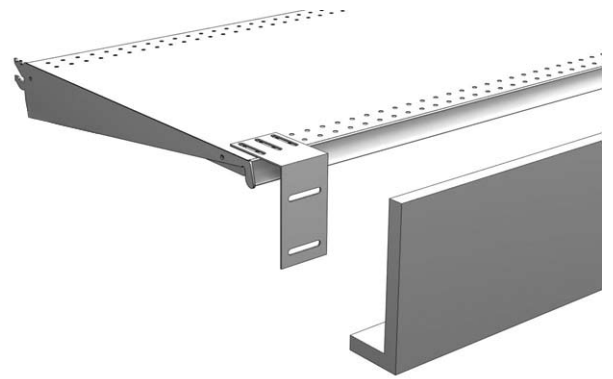


Solid Wood Canopy Components

Fascia

Fascia:

- 8"H x 3"W Bottom Return
- Install using Shelf-Mount Wood Canopy Brackets or Adjustable Wood Canopy Brackets (below)
- Can be cut to length
- For Return, see Canopy Ends (pg 509)
- **For pricing see section 500, pg 2**



STYLE	LENGTH	PART NO.
Fascia	96"	LCW896

STANDARD FINISH:

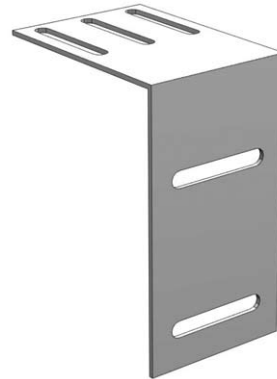
LAX

- Optional Tier I & II Laminates

Shelf-Mount Wood Canopy Bracket

Shelf-Mount Wood Canopy Bracket:

- Heavy Duty Bracket for mounting Wood Canopy Fascia to top shelf
- One Bracket required at every Uprite
- **For pricing see section 500, pg 2**



PART NO.
CA1561

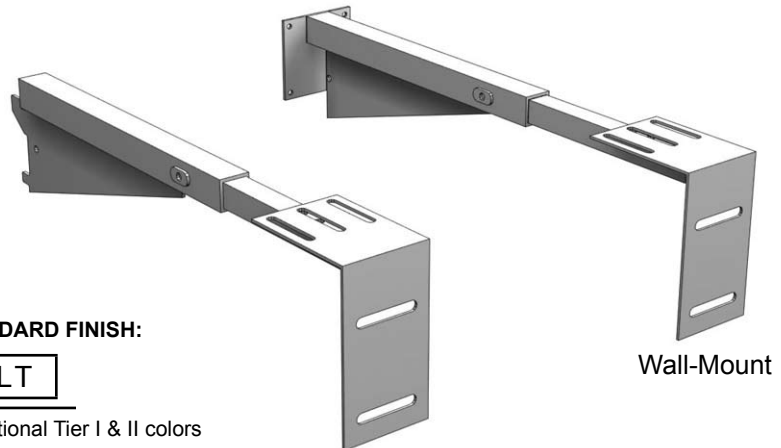
STANDARD FINISH:

GLV

Adjustable Wood Canopy Bracket

Adjustable Wood Canopy Bracket:

- Adjustable arm Brackets for mounting Wood Canopy Fascia
- Arms adjust from 17" - 26" or 26" - 36"D
- One Bracket required per Uprite
- Front component Galvanized
- **For pricing see section 500, pg 2**



TYPE	ADJUSTMENT	PART NO.
Uprite-Mount End	17" - 26"	CA1551
	26" - 36"	CA1552
Uprite-Mount Center	17" - 26"	CA1541
	26" - 36"	CA1542
Wall Mount	17" - 26"	CA1972
	26" - 36"	CA1971

STANDARD FINISH:

PLT

- Optional Tier I & II colors

Uprite-Mount
(center)

Wall-Mount

505