

Metal Canopy Components & Adapters

Adjustable Metal Canopy Brackets:

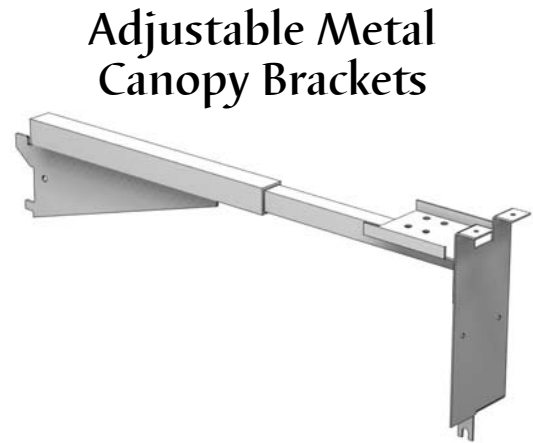
- Creates Open-top Canopy
- Order one pair of "End" Brackets for each run of Canopy
- Order one "Center" Bracket for each joint between adjacent canopy fascia
- Brackets available for projections from 17" - 26" or 26" - 35"
- Front component is Galvanized
- **For pricing see section 500, pg 3**

TYPE	STYLE	PART NO.
End	17" - 26"	CMAB19E
	26" - 35"	CMAB28E
Center	17" - 26"	CMAB19C
	26" - 35"	CMAB28C

STANDARD FINISH:

PLT

- Optional Tier I & II colors



Metal Returns

Metal Returns:

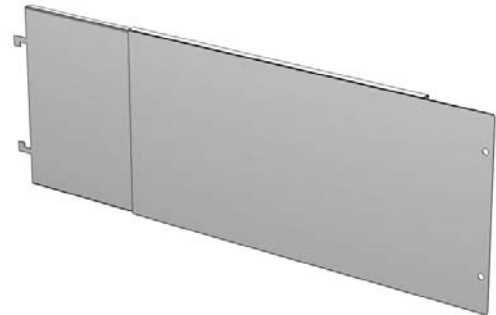
- Two Telescoping ranges from 16" - 25" or 25" - 35"
- **For pricing see section 500, pg 3**

ADJ. RANGE	PART NO.
16" - 25"	CM19R
25" - 35"	CM28R

STANDARD FINISH:

PLT

- Optional Tier I & II colors



Outside Metal Canopy Corner Adapters:

- Links two Metal Canopy Fascias at 90°
- Order adjacent canopies long enough to span 2 Uprites
- Order all Metal Fascia lengths separately (pg 506) & cut to length in field
- **For pricing see section 500, pg 3**

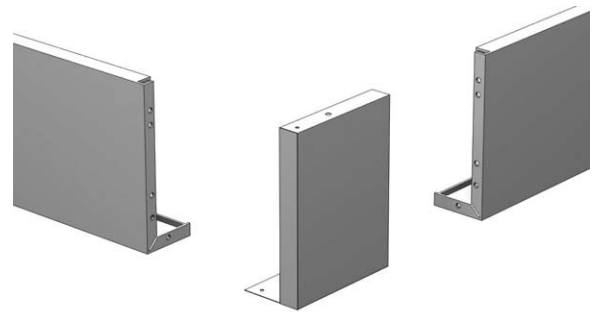
PART NO.
CMOC90

STANDARD FINISH:

PLT

- Optional Tier I & II colors

Metal Canopy Corner Adapters "Outside"



Inside Metal Canopy Corner Adapters:

- Links two Metal Canopy Fascias at 45° or 90°
- Order adjacent canopies long enough to span 2 Uprites
- Order all Metal Fascia lengths separately (pg 506) & cut to length in field
- **For pricing see section 500, pg 3**

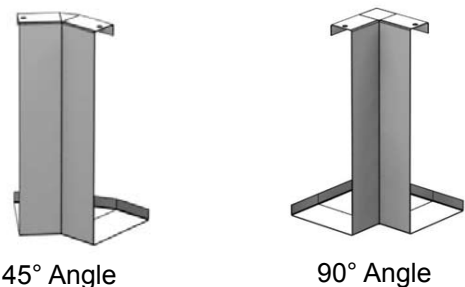
PART NO.
CMIC45
CMIC90

STANDARD FINISH:

PLT

- Optional Tier I & II colors

Metal Canopy Corner Adapters "Inside"



45° Angle

90° Angle

507