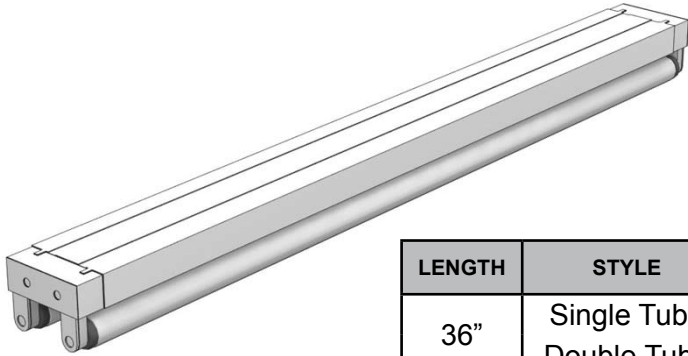


Canopy Light Components

T8 Light Fixtures



Light Fixtures:

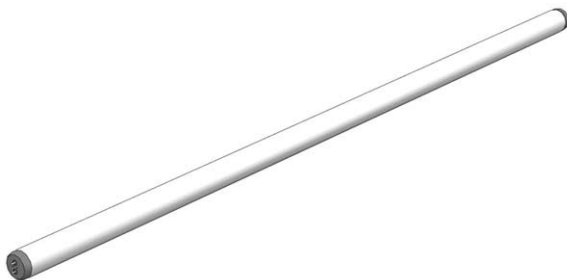
- Fluorescent light fixture used with Canopy Fascia
- U.L. (Underwriters Laboratories) approved
- Mounts on Canopy Bracket or light bracket (below), order separately
- Single & double tube, 120 volt
- Order Light Tubes (below) separately
- **For pricing see section 500, pg 4**

LENGTH	STYLE	INPUT WATTS	LINE CURRENT	PART NO.
36"	Single Tube	26W	.22A	LF3ST8
	Double Tube	48W	.48A	LF3DT8
48"	Single Tube	38W	.32A	LF4ST8
	Double Tube	69W	.59A	LF4DT8
96"	Single Tube	58W	.57A	LF8ST8
	Double Tube	112W	.95A	LF8DT8

STANDARD FINISH:

N/A

T8 Light Tubes



Light Tube:

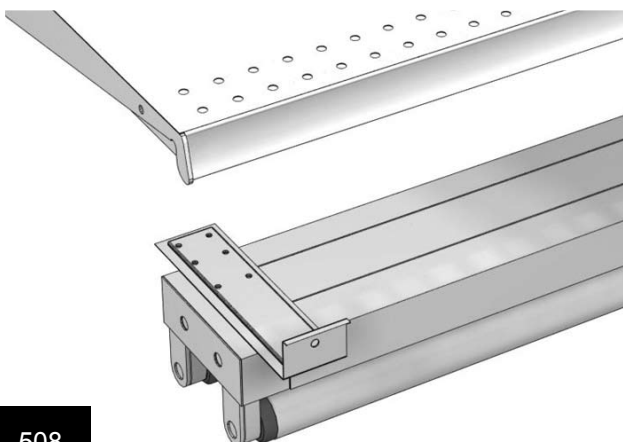
- "Warm White" fluorescent
- Two pin 3' & 4'
- One pin 8'
- **For pricing see section 500, pg 4**

TYPE	LENGTH	PART NO.
F25T8/SP30	36"	LFT3T8
F32T8/SP35	48"	LFT4T8
F96T8/SP35	96"	LFT8T8

STANDARD FINISH:

N/A

Light Bracket



Light Bracket:

- Used to mount Light Fixtures on underside of Canopy top Shelf
- Two Brackets required per Light Fixture
- Not required if mounting on Canopy Brackets
- **For pricing see section 500, pg 4**

PART NO.
CA1151

STANDARD FINISH:

WHT